

Drink Rail - VIP

Drink Rail System



Sightline Commercial Solutions' VIP Drink Rails enhance the spectator experience in stadiums, arenas, and ballparks by providing convenient support for concessions, beverages, and personal belongings. Our drink railing system caters to all areas, including ADA-compliant sections, club decks, concourses, suites, loge boxes, and VIP lounges. Allowing visitors to comfortably enjoy games, concerts, and other events "hands-free." The easy-to-install and maintain drink rails are not only functional but also add a touch of style to any sports or entertainment venue. With the durable and appealing VIP Drink Rail system, sports venues can ensure their fans and patrons enjoy a top-notch seating experience.



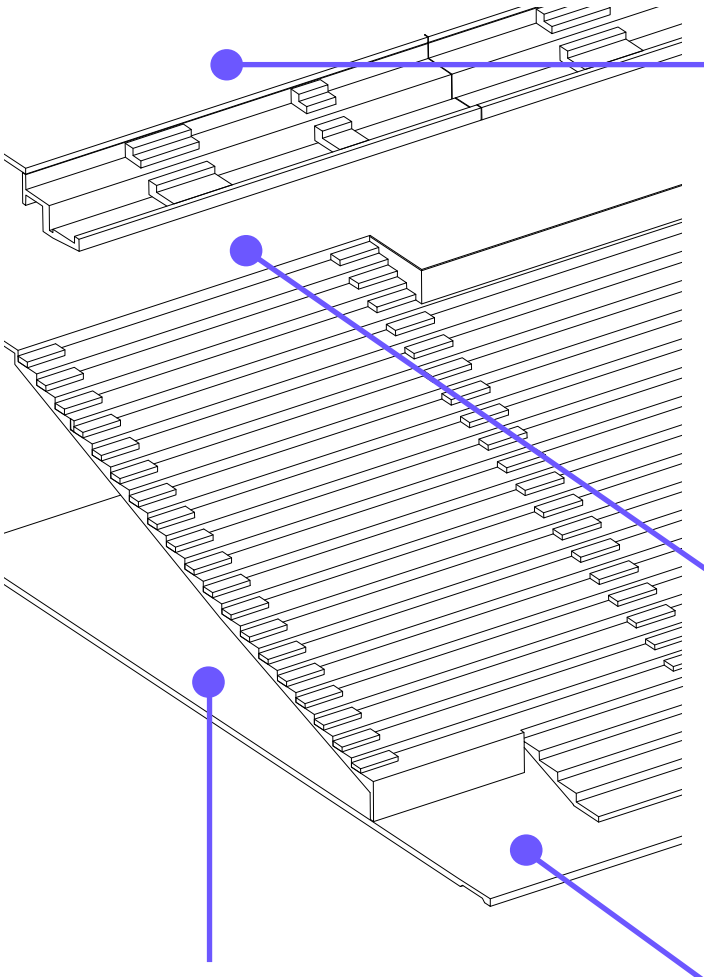
Drink Rail - VIP

Drink Rail System



Applications

The versatility of drink railing allows for its utilization in multiple practical applications to enhance seating capacity and comfort of any venue.



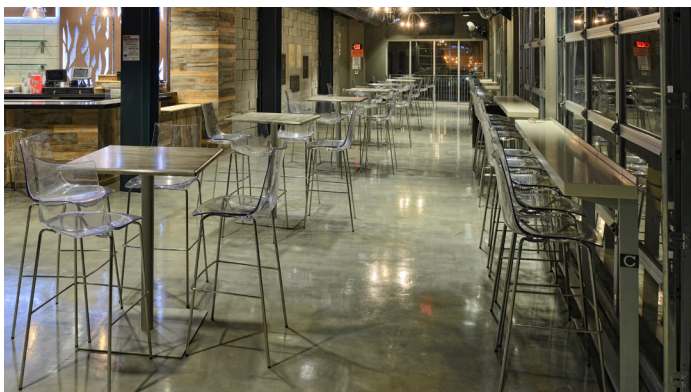
Loge Suite Seating



Concourse Standing Seats



Bar Seating



Field Suites



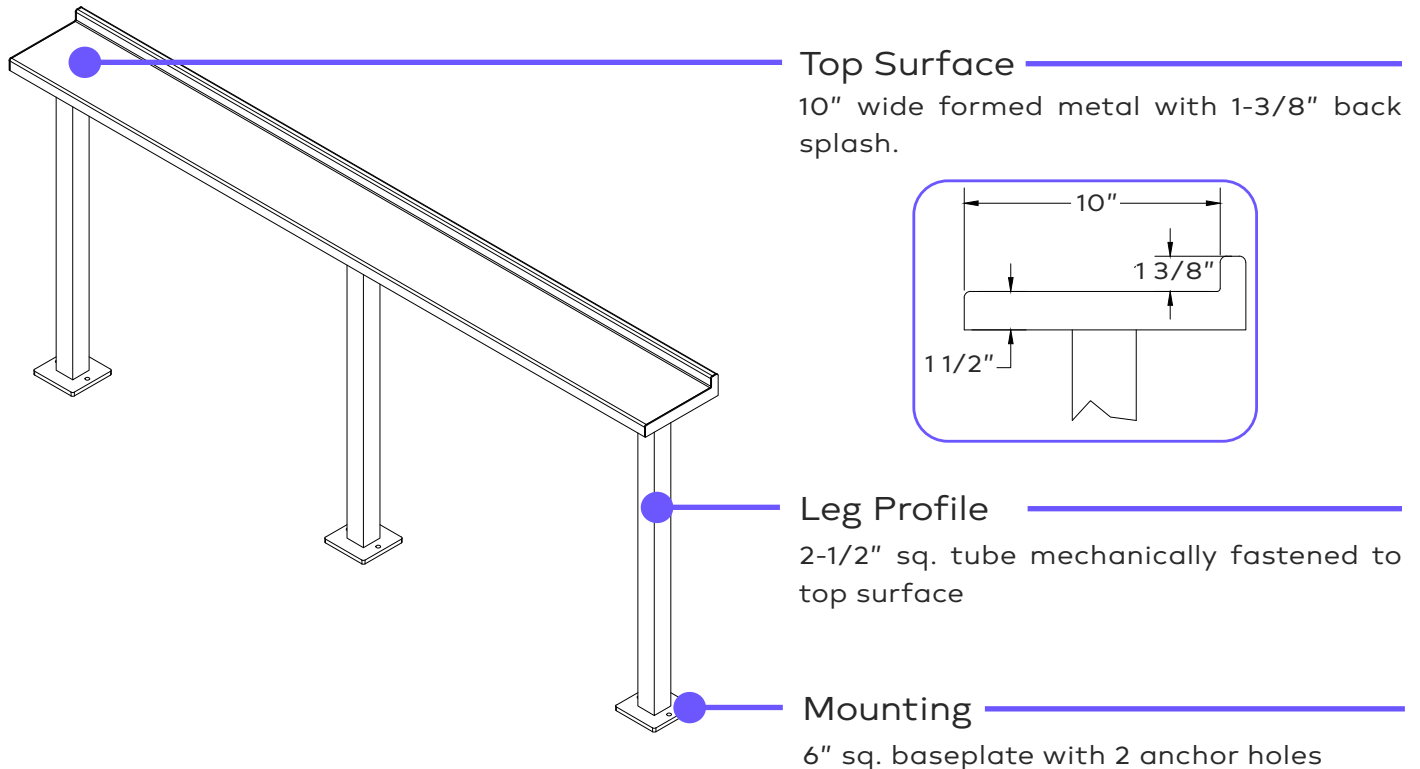
Drink Rail - VIP

Drink Rail System



Specifications

VIP drink railing is made with high-quality, lightweight aluminum that is not only sturdy and durable, but also resistant to corrosion. This ensures that the drink railing can withstand the test of time, even in harsh weather conditions, without rusting or deteriorating. Plus, the lightweight nature of the aluminum makes installation and maintenance a breeze, without sacrificing any structural integrity.



Tech Specifications

Heights: Seated: 30", Counter: 36", Bar/Standing: 42"

Lengths: 2', 4', 6', or 8' (customizable)

Materials: Aluminum

Mounting: Top mount with (2) anchors

Std. Finishes: Powder coat Glossy Black, Flat Black, Blue, Green, Grey, Anodized Silver



**Custom materials and colors available upon request.*

Drink Rail - VIP

Drink Rail System

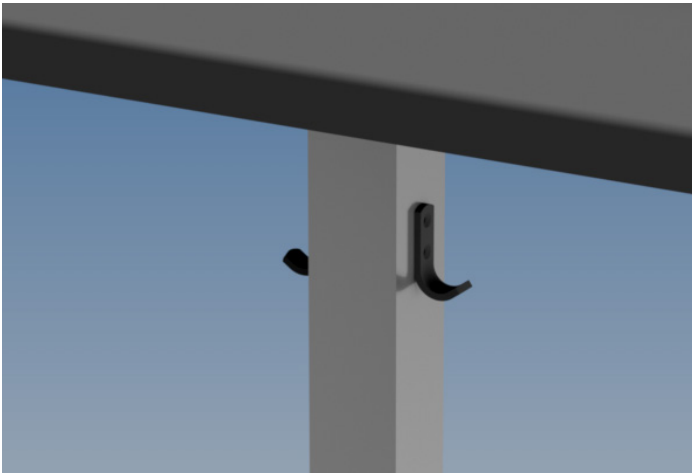


Accessories & Options

A variety of options and accessories can be used to customize any drink rail to make the product unique for any given venue.

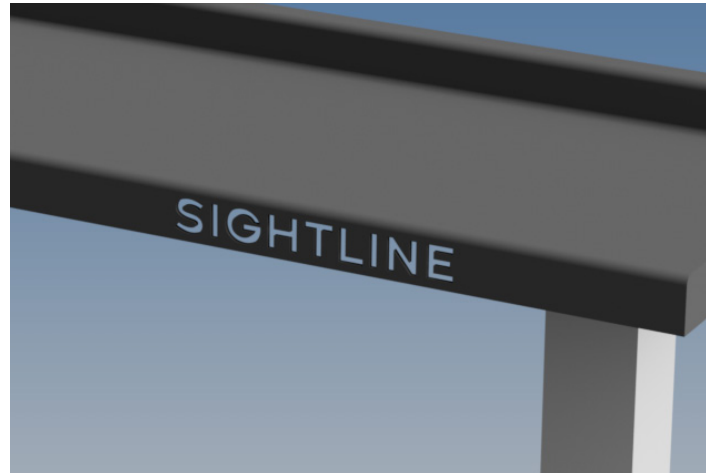
Hooks

Adding hooks can provide patrons with a convenient place to hang their belongings such as purses, coats, or other items.



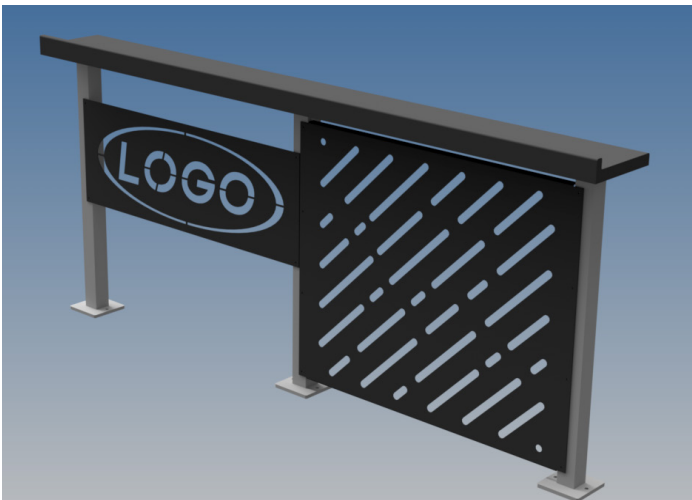
Laser Cut Tops

The drink rail can be personalized by incorporating laser-cut designs such as branding, logos, or custom names onto the drink top.



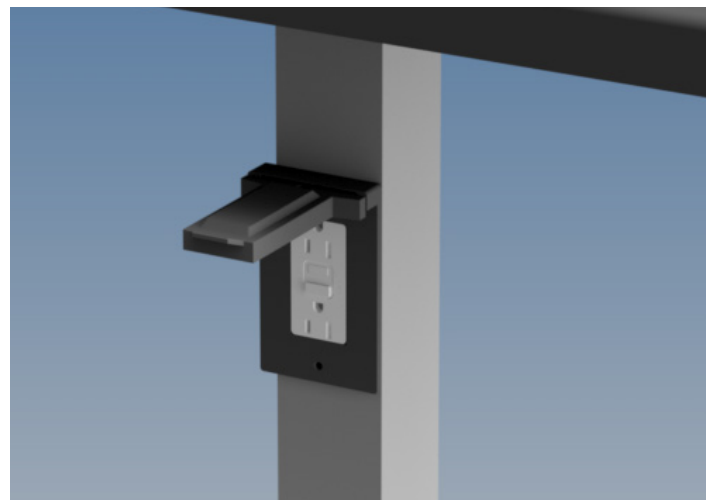
Modesty Panels

Personalize the drink rail by opting for full height or shortened modesty panels that can be tailored to feature logos or unique designs, creating a distinctive appearance that stands out.



Power Outlets

Enhance the convenience of your drink rail by incorporating power or USB outlets, providing patrons with easy access to electricity.



Exterior applications require the use of a weatherproof outlet box, increasing the post size to 3"x3". All electrical components and connections to provided by a qualified electrical contractor.